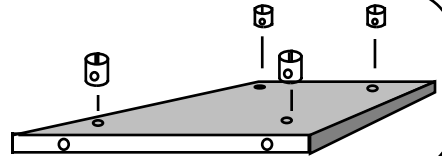


PARTS LIST

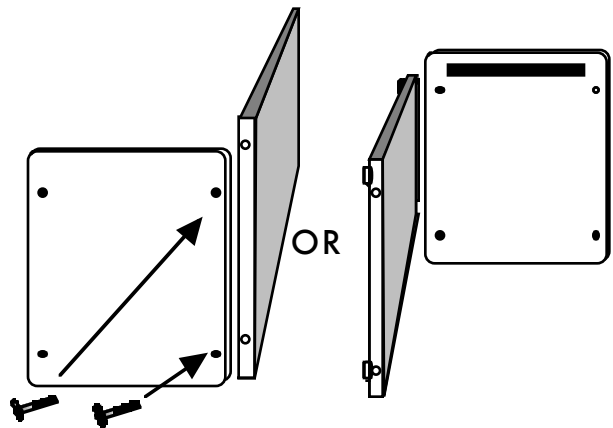
2 - Sides w/ rack rail
1 - Top
1 - Bottom (with 4 holes)

8 - Fastening Bolts
8 - Barrel nuts
4 - Rubber Feet (with 4 screws)
1 - Hex Key (for bolt installation)

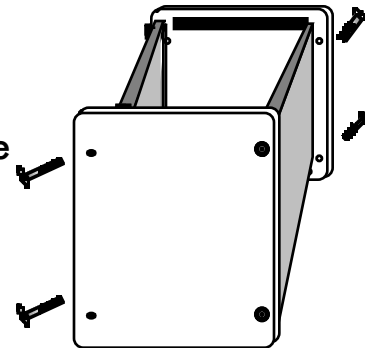
STEP 1: Insert Barrel Nuts into top & bottom. Make sure the slot is running parallel to bolt hole and the threaded hole is aligned with the bolt hole.



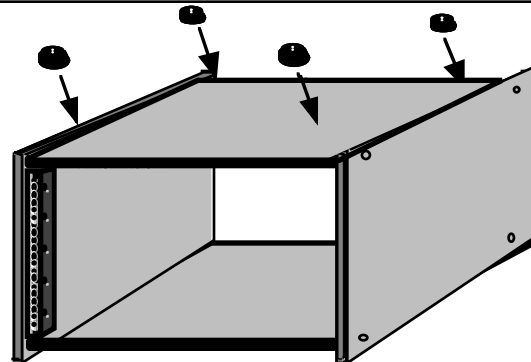
STEP 2: Place either side upright (with brace facing down) and position top or bottom against side. Insert bolts through holes in side piece into top / bottom inserts. (Once again, bolts must all be started in each piece before securing). Repeat same procedure to remaining pieces.



STEP 3: Place each section together and insert bolts through holes in side piece to form the completed rack. After all bolts have been started, snug each bolt without over-tightening.



STEP 4: Set rack on it's top with bottom facing up (piece with 4 small pilot holes). Position rubber feet over each hole and install Phillips head screws. You should be finished now.



Congratulations ! Enjoy your rack.